



Main Features

- Onboard Intel® Quark processor X1021 single core 400MHz
- Wind River® or Yocto (only for NIO100y) operating system and McAfee® security software solutions
- Optional Wi-Fi or Wireless module
- 2 x 10/100 Fast Ethernet ports
- 1 x mPCIe slots for Radio module (only for NIO 100)
- 1 x mPCIe slot for FBI module (only for NIO 101)
- 2 x USB 2.0 type A
- 1 x RS232/485 selectable
- DIO 4x4
- Support 9~36V wide range DC input with phoenix x 2 pin terminal block
- Support -20 ~ 70°C extended operating temperature

Product Overview

NIO 100, designed as an IoT(Internet of Thing) gateway for cloud application specifically focused in industrial field, collects sensor data via RS232/485/DIO and transmitting data to cloud by 3G,WiFi or Ethernet. NIO 100 has power 9~36V wide range DC inputs for industrial environment. NIO 100 is an Innovative and compactable new gateway for IoT target market to Industrial 4.0 a good product.

Specifications

CPU Support

- Onboard Intel® Quark SoC processor X1021 Single Core 400MHz

Main Memory

- DDR3 1GB
- eMMC 4GB

Serial Port

- 1 x RS232/485 (software selectable)

DIO

- 4 x 4 DIO supports

USB

- 2 x USB 2.0 Type A

Ethernet

- 2 x 10/100 Base-TX
- MDI/MDIX Auto cross

Reset

- 1x reset button

Expansion Slot

- 1x mPCIe, half/short size
- One for Wi-Fi/3G module (Optional)

Physical and Power

- DC 9~36V with 2 pins phoenix terminal block
- Din-Rail(optional)/Wall mountable
- Dimension: 130 x 130 x 40 mm
- Weight: 700g (w/o bracket)

SW Features

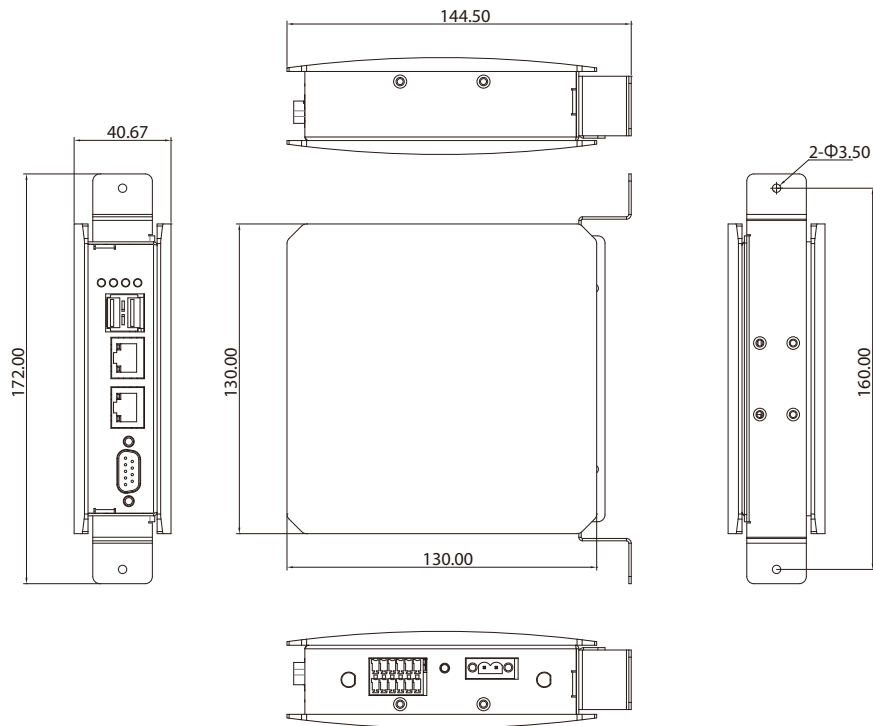
- Moon Island Linux 5.0.1
- Macfee security
- Web GUI management
- Xcare client
- Modbus TCP

Environment Protection

- Operating temperature: -20°C ~ 70°C
- Storage temperature: -30°C ~ 80°C
- Pole/Wall mount kit x1

Mechanical Draft

- Wall Mounting
- PCB: 110 x 110 x 30 mm
- Operating temperature: -20~70 degree C
- Storage temperature: -25~75 degree C
- Humidity: 0% to 95% maximum (Non-condensing)



Ordering Information

- ♦ **NIO100 (P/N: 10T00010005X0)**
Quark/Moon Island IOT gateway w/Modbus
- ♦ **NIO100Y (P/N: 10T00010006X0)**
Quark/Yocto IOT gateway w/Modbus
- ♦ **NIO101 (P/N: 10T00010100X0)**
Quark/Moon Island IOT gateway w/ FBI (Filed Bus Interface) supported
- ♦ **NIO101Y (P/N: 10T00010101X0)**
Quark/Yocto IOT gateway w/ FBI (Filed Bus Interface) supported

Accessories

- ♦ **WiFi/BT Combo module: 802.11b/g/n WLAN+BT 3.0/4.0**
(P/N: 7570LAN074X00)
- ♦ **RF Antenna for WiFi / 3G by customer request**
- ♦ **3G module: Telit HE910 5-bands, 21M/5.7M DL/UL, w/ GPS and voice** (P/N: 7570LAN031X00)
- ♦ **Adaptor: Phonix 2-pin EU/Wall mount/ 12V/2A**
(P/N: 7400024010X00)
- ♦ **Adaptor: Phonix 2-pin US/Wall mount/ 12V/2A**
(P/N: 7400024009X00)
- ♦ **Mounting: DIN Rail Mount : (P/N: 10T00010002X0)**