

# Smart Digital Tuner - KST-1000-W

Worldwide digital terrestrial TV receiver for the ocean going ships



## Smart Digital Tuner Worldwide - KST-1000-W

We offer the worldwide digital terrestrial TV receiver for the ocean going ships.  
KST-1000-W is designed to tune-in to all approved ATSC/DVB-T/DVB-T2/ISDB-T/ISDB-Tb/DTMB  
terrestrial broadcast standards.

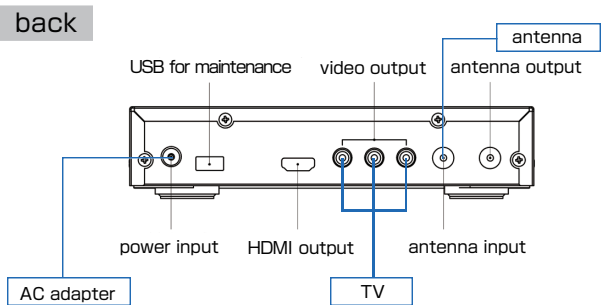
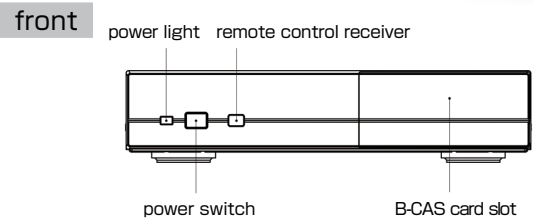
When you use KST-1000-W, you can receive all standards and watch TV in the vessels all over the world.

Bring the best solution.  
Enjoy all approved DTT broadcasting.

- ▶ DVB-T/T2(Europe, Australia, Taiwan, Singapore, UAE, etc.)
  - ▶ ATSC(USA, Korea)
  - ▶ ISDB-T(Japan)
- ▶ ISDB-Tb(South America)
- ▶ DTMB(China, etc.)

KST-1000-W can easily connect to CRT monitors, Plasma monitors and LCD monitors  
through composite video connection or HDMI connection.

# Smart Digital Tuner KST-1000-W



## Features

Tunes and decodes all approved digital terrestrial broadcast standards-ATSC/DVB-T/DVB-T2/ISDB-T/ISDB-Tb/DTMB  
Contents Formats supported - H.264, MPEG1, MPEG2, MPEG4

Auto scan of the channels

Display the reception level of DTT signal

HDMI and Composite RCA video outputs

Receive "One seg" broadcasting service in Japan

High Definition - Selectable DTV Output resolution (720p/1080i/1080p) \* when using HDMI cable

RF pass-through output

Simple Electronic Program Guide (EPG) - only in Japan

Support English and Japanese

Compact size - 190mm x 115mm x 42mm

AC adapter - 100-240V 50/60Hz

Operating temperature - 0-40°C

Operating humidity - 20-80% No condensation

User's manual - English and Japanese

Accessories - AC adapter, AV cable(RCA), Remote control, Foot plates, B-CAS card(for Japan)

- \* In order to receive terrestrial digital broadcasts, it is necessary to have the corresponding TV antenna.
- \* Even if the antenna and this product are set up properly, and correctly connected, reception of terrestrial digital broadcasts will be impossible in countries without terrestrial digital broadcasting.  
In addition, various problems may occur such as blocking of signals by neighboring buildings, inability to receive weak signals, only being able to receive specific broadcasting channels, audio cutting out, and stopping of video, and appearance of block noise.
- \* Topographic conditions as well as weather conditions have great influence on TV terrestrial reception range.
- \* Designs and specifications are subject to change without notice.

## KYOKUYO ELECTRIC CO.,LTD.

Address : 1-19-1, Chiyozaki, Nishi-ku, Osaka 550-0023, Japan

TEL : +81-6-6581-5814

URL : <http://www.kyokuyoe.co.jp/english/>

E-mail : [kyokuyo@kyokuyoe.co.jp](mailto:kyokuyo@kyokuyoe.co.jp)

## Contact us

2015.04v2